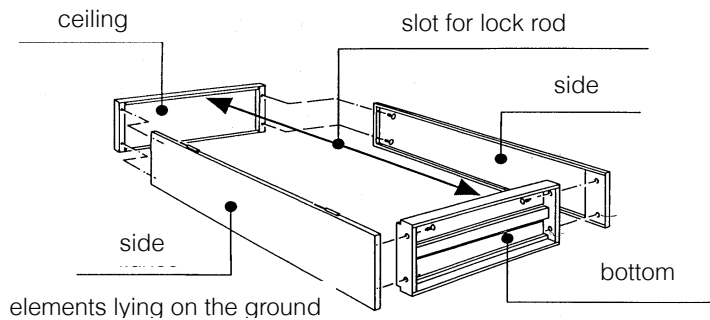
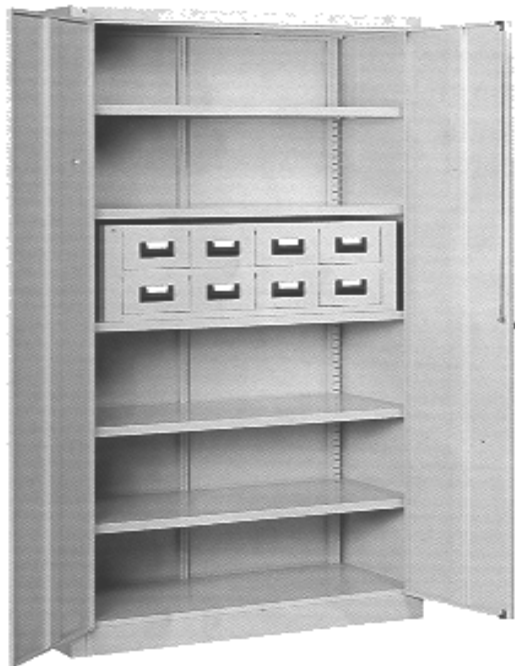
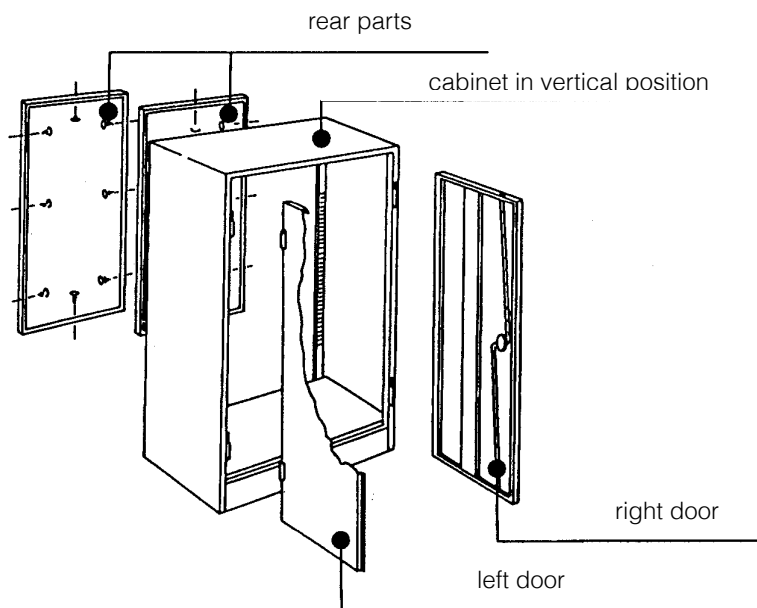


DETACHABLE CABINETS

installation instructions



Note: accessories in the neck of the ceiling and bottom.



- 1 Place the bottom on the ground with the slot for the lock rod facing upward.
- 2 Prepare the sides with all the screws just jammed and the hinges facing up.
- 3 Engage the sides in the bottom and fully tighten the 2+2 lower Allen screws 8x16.
- 4 Arrange the ceiling with the slot for lock rod facing upward and fasten it to the sides with the 2+2 upper Allen screws 8x16.
- 5 Verticalize the cabinet and insert the rear parts, fixing them with 13 plastic caps for cabinets h 2000 mm and with 10 caps for cabinets h 1000 mm. First the female of the cap is inserted in the back and in the side and then the male in order to snap in. For mounting, the rear part is first attached to the side, then the two rear parts are joined. Finally, attach the other rear part to the other side.
- 6 Insert the doors in the hinges.
- 7 **The keys are attached to the inside of the lock.**
- 8 Position the hooks into the slots at the desired height and insert the mobile shelves. The hooks can be found in the shelves packs.