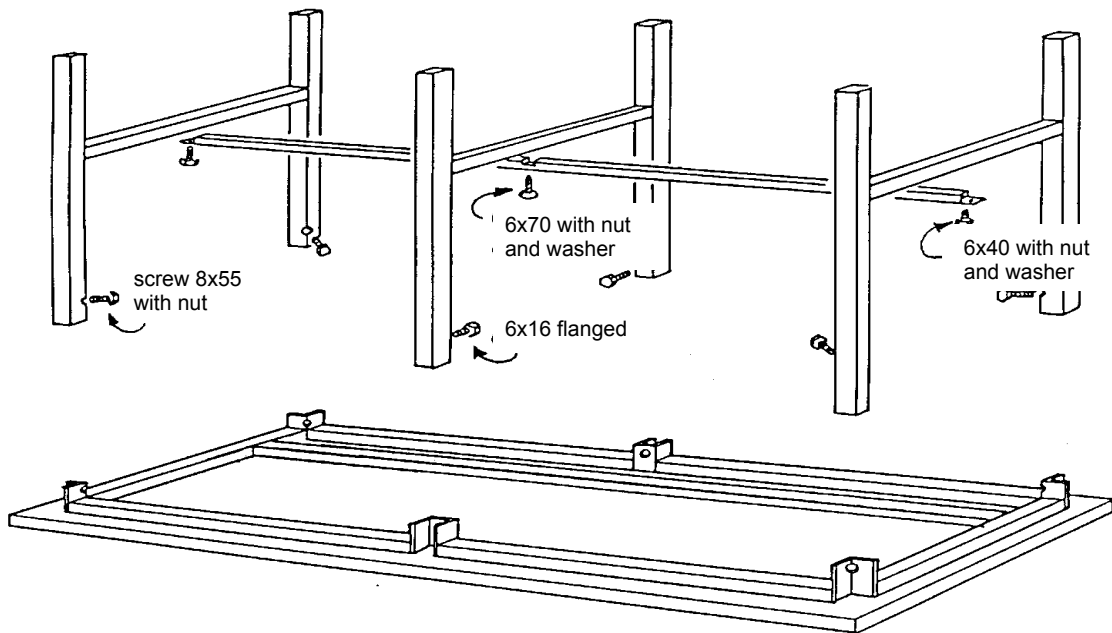


DETACHABLE TABLES ART.0372-0438

assembly instructions



1 STRUCTURE ASSEMBLY.

Position the top on the ground with the frame connected. Attach the side panels to the frame, each with 2 screws TE 8x55 and nut, the central one with 2 flanged screws 6x16 **loosely**.

2 MOUNTING DRAWER ART. 0362.

Pull out the drawer and position the body shell on the frame in the desired position. Drill 4 holes with a bit of 5 and fasten using 4 self-tapping screws for chipboard of 6x50 countersunk head. **In the case in which the position coincides with the screw used to attach the frame to the top**, you must remove it and reuse it for the fixing of the shell body.



3 MOUNTING CONNECTING CROSS BAR FOR ART. 0372.

Straighten the structure and connect the cross bar to the sides using 2 screws TE 6X40 with nut and 2 washers 6x12 for the side panels and 1 screw TE 6x70 with nut and 1 washer 6x12 for the central one.

Definitively tighten all the screws of the table.

4 UNDERMOUNT ASSEMBLY FOR ART. 0438.

Straighten the structure and place the undermount on the cross bars of the sides, making sure that the "U" bracket interlocks into the central side. Fasten the sides with 3 screws TE 6x40 with nut and washers.

Definitively tighten all the screws of the table.